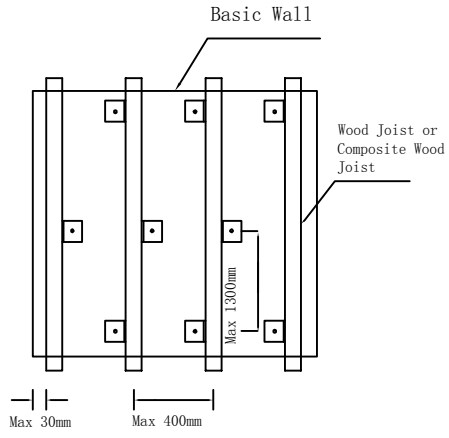
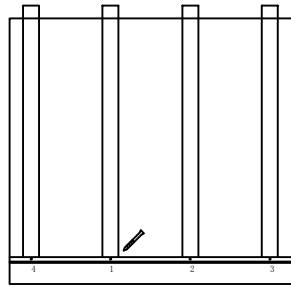


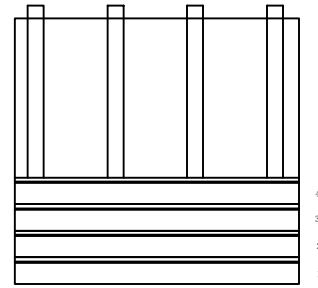
# Wall Panel Installation Guide



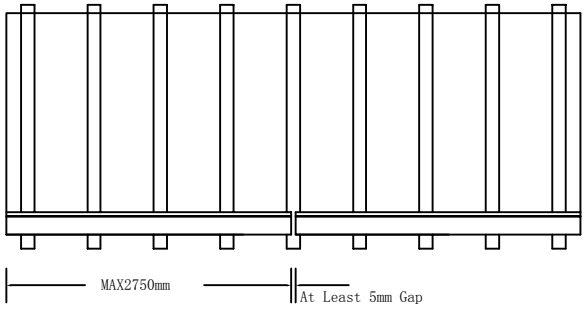
1. How to fix the joist.



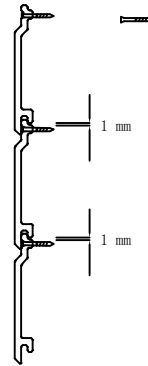
2. Fix the wall panel from the middle to the end.



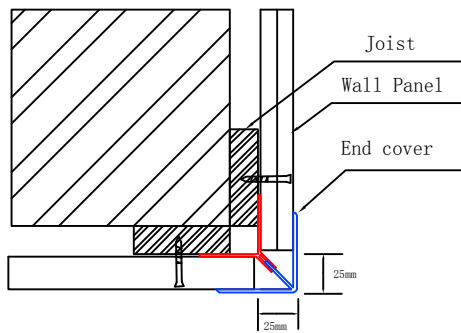
3. Fix the wall panel from the bottom to the top.



4. Each wall panel needs no longer than 2750mm and should leave a gap of 5mm between two boards.



5. Each wall panel from top to bottom need to least 1 mm.



6. How to cover the end of the wall panel

